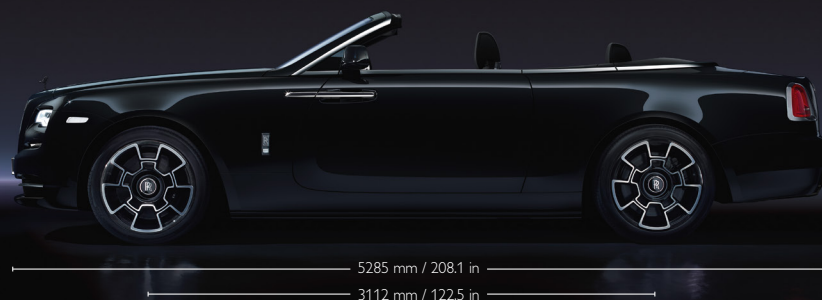


## Dawn Black Badge Technical Specification



### Dimensions

Vehicle length	5285 mm / 208.1 in
Vehicle width	1947 mm / 76.7 in
Vehicle height (unladen)	1502 mm / 59.1 in
Wheelbase	3112 mm / 122.5 in
Track, front	1618 mm / 63.7 in
Track, rear	1665 mm / 65.0 in
Track, rear (USA)	1665 mm / 65.0 in

### Weight

Unladen weight (DIN)	2560 kg / 5644 lb
----------------------	-------------------

### Engine

Engine / cylinders / valves	V / 12 / 48
Fuel type	10:1 / Premium unleaded*
Fuel management	Direct injection
Maximum torque @ engine speed	840 Nm / 620 lb ft @ 1650-4750 rpm
Power output @ engine speed	593 bhp / 601 PS (DIN) / 442 kW @ 5250-6000 rpm

\* The engine is designed for Octane grade 95 fuel; however, it may be run on fuel with a minimum Octane grade of 91

† Manufacturer's test results. Actual acceleration results may vary depending on specifications of the vehicle, road and environmental conditions, testing procedures and driving styles. These results should be used for comparison only and verification should not be attempted on public roads.

Full technical specification details are available at [www.rolls-roycemotorscars.com](http://www.rolls-roycemotorscars.com)

### Performance†

Top speed	155 mph / 250 km/h (governed)
Acceleration 0-60 mph	4.8 sec
Acceleration 0-100 km/h	4.9 sec

### Fuel Consumption‡

Urban	22.9 ltr/100 km / 12.3 mpg (Imp.)
Extra urban	10.1 ltr/100 km / 28 mpg (Imp.)
Combined consumption	14.7 ltr/100 km / 19.2 mpg (Imp.)
CO <sub>2</sub> emissions (combined)	337 g/km

### Fuel Consumption (USA and Canada)

City (USA)	TBC
Highway (USA)	TBC
City (Canada)	TBC
Highway (Canada)	TBC
Combined (Canada)	TBC
CO <sub>2</sub> emissions (Canada)	TBC

‡ Fuel consumption is determined in accordance with the ECE driving cycle, made up of approximately one-third urban traffic and two-thirds extra-urban driving (based on the distance covered). CO<sub>2</sub> emissions are measured in addition to fuel consumption. Fuel consumption and CO<sub>2</sub> emission figures are dependent on tyre format. Further information on the official fuel consumption and on the official specific CO<sub>2</sub> emissions of new automobiles can be found in the guidelines on fuel consumption and CO<sub>2</sub> emissions of new automobiles at <http://carfueldata.direct.gov.uk/>,

<http://www.dat.de/en/offers/publications/guideline-for-fuel-consumption.html> or your local government authority.